

McCULLOCH[®]

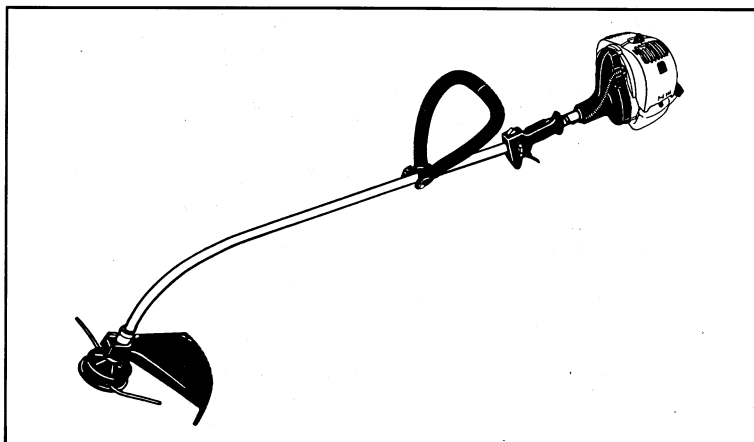
PARTNER

ILLUSTRATED PARTS LIST

CABRIO 243-244 PARTNER B244

SERIAL NUMBER PREFIX 01

CE



April 2001

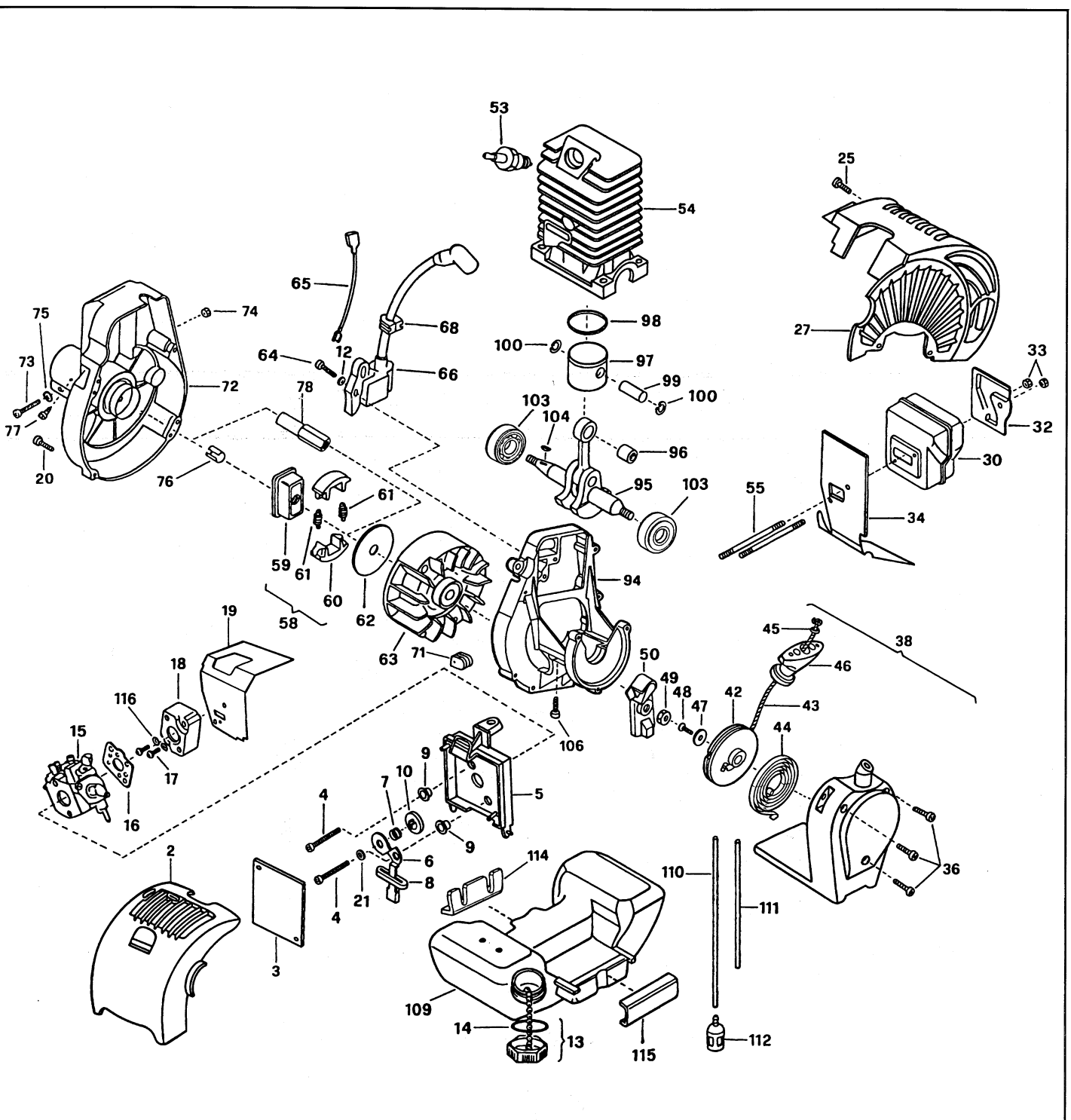


FIGURE 1

PN ELX		PN McC			PN ELX		PN McC			PN ELX		PN McC				
2	538242019	242019	yellow/giallo/ jaune/gelb	1	21	538235248	235248	1	A 53	538092879	92879	1	77	538236981	236981	1
	538242093	242093	gold/oro/ or/gold	1	25	538241963	241963	2	C 54	538241800	241800	1	78	538241964	241964	(243) 1
B 3	538242035	242035		1	27	538242079	242079	1	55	538242037	242037	2	94	538242029	242029	1
4	538235808	235808	M5x50	2		538242058	242058	1	B 58	538241793	241793	(244) 1	95	538242003	242003	1
5	538248485	248485		1	C 30	538242131	242131	1	59	● 538241789	241789	1	C 96	● 538235742	235742	1
6	● 538241769	241769		1	32	538323760	323760	1	60	● 538241743	241743	2	C 97	538248177	248177	1
7	● 538235822	235822		1	33	538235642	235642	2	A 61	● 538241794	241794	2	B 98	● 538240002	240002	1
8	● 538241622	241622		1	B 34	538242036	242036	1	62	538241604	241604	1	99	● 538241735	241735	1
9	● 538227022	227022		2	36	538241963	241963	M4x22 3	63	538241796	241796	1	100	● 538235008	235008	2
10	● 538241602	241602		2	C 38	538242041	242041	1	64	538235806	235806	M5x20 2	C 103	538242030	242030	2
12	538235248	235248		2	B 42	● 538241620	241620	1	65	538241606	241606	1	C 104	538227631	227631	1
B 13	538236563	236563		1	A 43	● 538241746	241746	1	C 66	538241749	241749	1	106	538235803	235803	M5x25 4
A 14	● 538236564	236564		1	B 44	● 538241619	241619	1	68	538236322	236322	1	C 109	538242040	242040	1
C 15	FIGURE 4	FIGURE 4		1	45	● 538235612	235612	1	71	538241607	241607	1	B 110	● 538229717	229717	1
A 16	538241600	241600		1	46	● 538241778	241778	1	C 72	538241725	241725	(244) 1	B 111	● 538229743	229743	1
17	538235806	235806	M5x20	2	47	● 538241703	241703	1	C	538241977	241977	(243) 1	A 112	538093720	93720	1
C 18	538241750	241750		1	48	● 538240862	240862	1	73	● 538235803	235803	1	114	538242038	242038	1
B 19	538242034	242034		1	49	538241624	241624	1	74	● 538229524	229524	1	115	538242039	242039	1
20	538227568	227568	M4x20	4	50	538241784	241784	1	75	● 538235248	235248	1	116	538235248	235248	2
									76	● 538228260	228260	(244) 1				

A = high moving - alta rotazione - haute demande - große Nachfrage

B = medium moving - media rotazione - moyenne demande - mittelmäßige Nachfrage

C = slow moving - bassa rotazione - basse demande - wenige Nachfrage

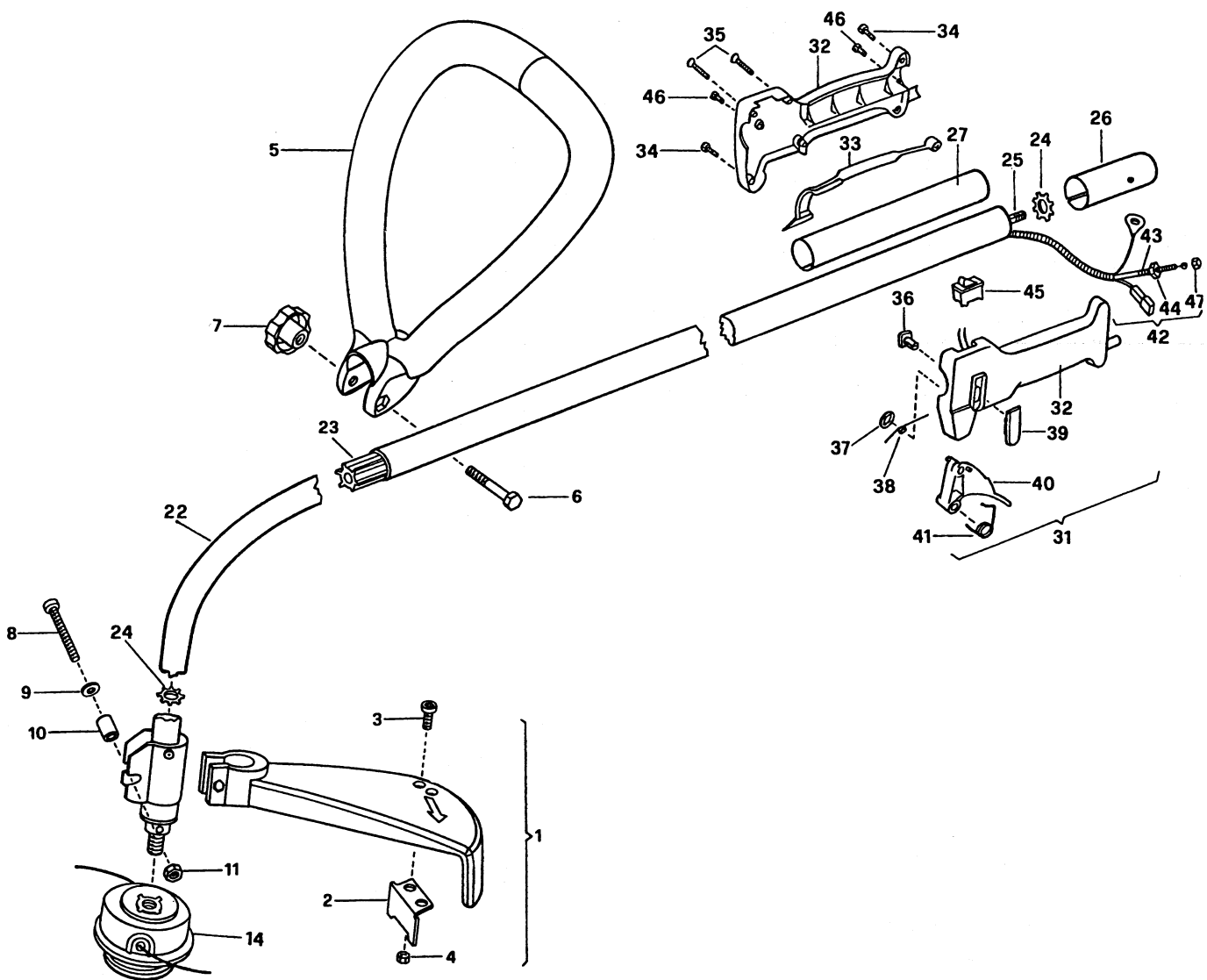
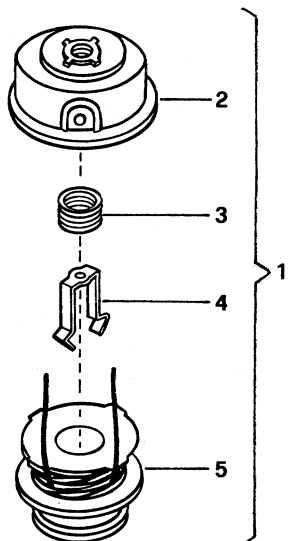


FIGURE 2

	PN ELX	PN McC		PN ELX	PN McC		PN ELX	PN McC			
B 1	538248377	248377	1	24	● 538241745	241745	2	41	● 538240091	240091	1
2	● 538241973	241973	1	C 25	538228143	228143	1	C 42	● 538227067	227067	1
3	● 538236381	236381	M5x10 2	26	538241838	241838	1	C 43	●● 538227073	227073	1
4	● 538235642	235642	2	27	538241727	241727	1	44	●● 538235912	235912	1
C 5	538248574	248574	1	31	538227280	227280	1	C 45	●● 538236394	236394	1
6	● 538242146	242146	M6x40 1	32	● 538246955	246955	1	46	538236981	236981	2
B 7	● 538242147	242147	1	33	●● 538229819	229819	1	47	538235912	235912	1
8	538228320	228320	M6x45 1	34	● 538240618	240618	2				
9	538236936	236936	1	35	● 538240833	240833	4				
10	538242061	242061	1	36	● 538229823	229823	1				
11	538235912	235912	1	37	● 538227065	227065	1				
A 14	FIGURE 3	FIGURE 3		38	● 538229973	229973	1				
22	538241966	241966	1	39	● 538229824	229824	1				
23	● 538241968	241968	1	40	● 538241296	241296	1				

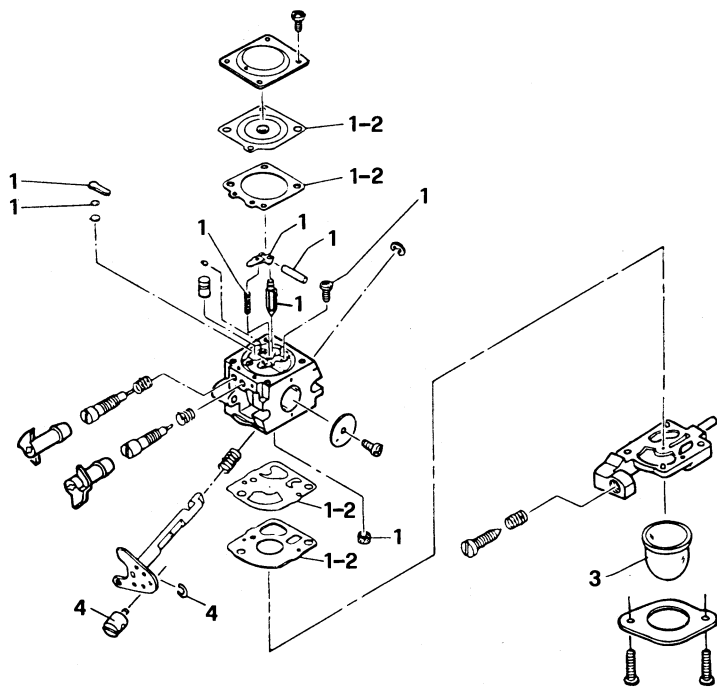
A = high moving - alta rotazione - haute demande - große Nachfrage B = medium moving - media rotazione - moyenne demande - mittelmäßige Nachfrage C = slow moving - bassa rotazione - basse demande - wenige Nachfrage



	PN ELX	PN McC	
A 1	538248206	248206B	-
2 •	530053246	530053246	1
3 •	530053241	530053241	1
4 •	530401957	530401957	1
B 5 •	538248286	248286B	1

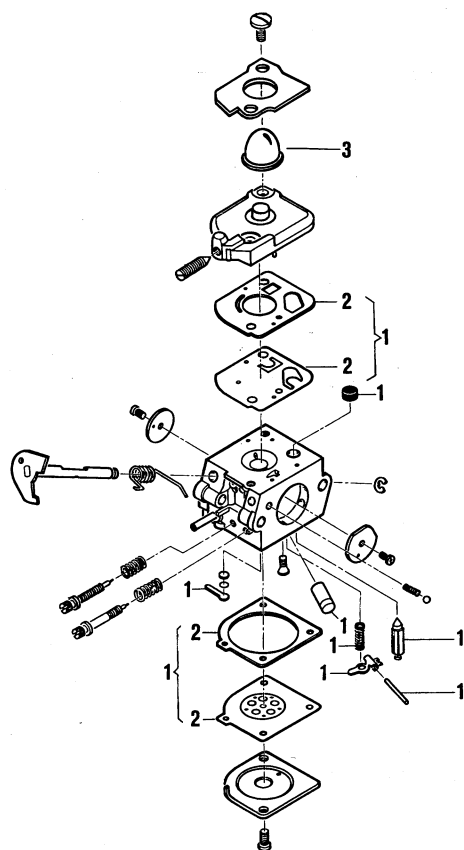
FIGURE 3

WALBRO WT 547



		PN ELX	PN McC	
C	-	538241601	241601	carbur.
B	1	• 538324013	324013	1
A	2	•• 538324009	324009	1
C	3	• 538225834	225834	1
	4	• 538224466	224466	1

ZAMA C1Q M38



		PN ELX	PN McC	
C	-	538241824	241824	carbur.
B	1	• 538300465	300465	1
A	2	•• 538300473	300473	1
C	3	• 538246946	246946	1

FIGURE 4

A = high moving - alta rotazione - haute demande - große Nachfrage
 B = medium moving - media rotazione - moyenne demande - mittelmäßige Nachfrage
 C = slow moving - bassa rotazione - basse demande - wenige Nachfrage